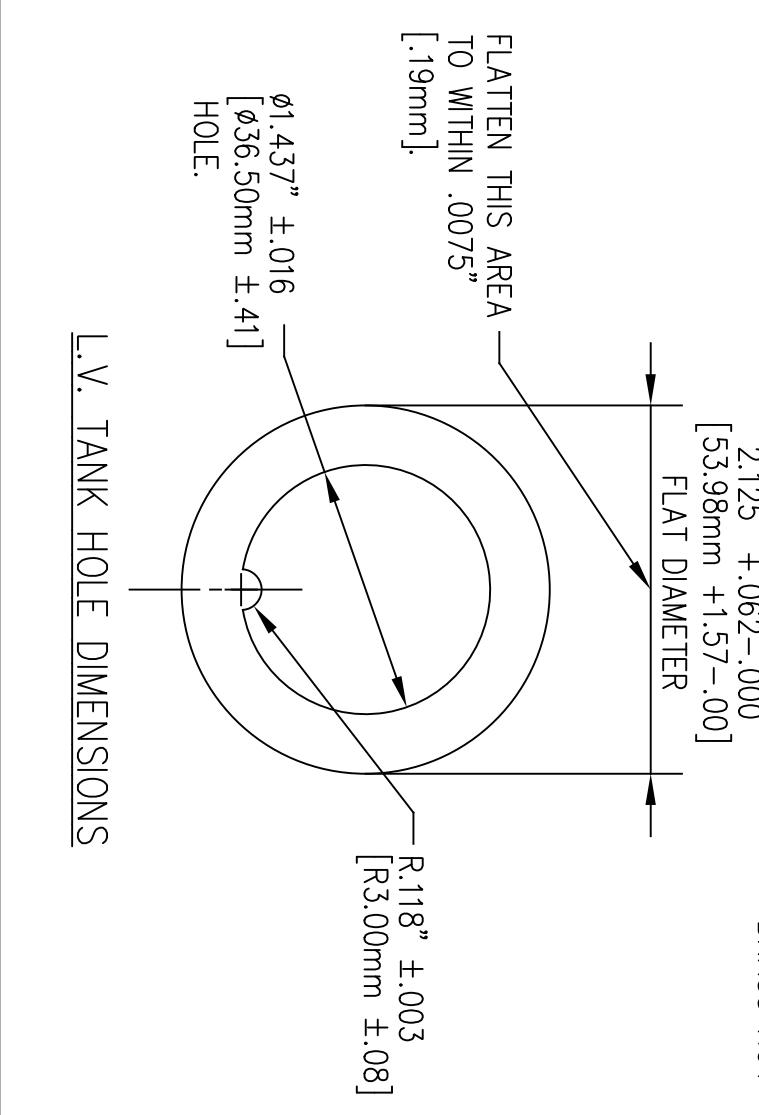
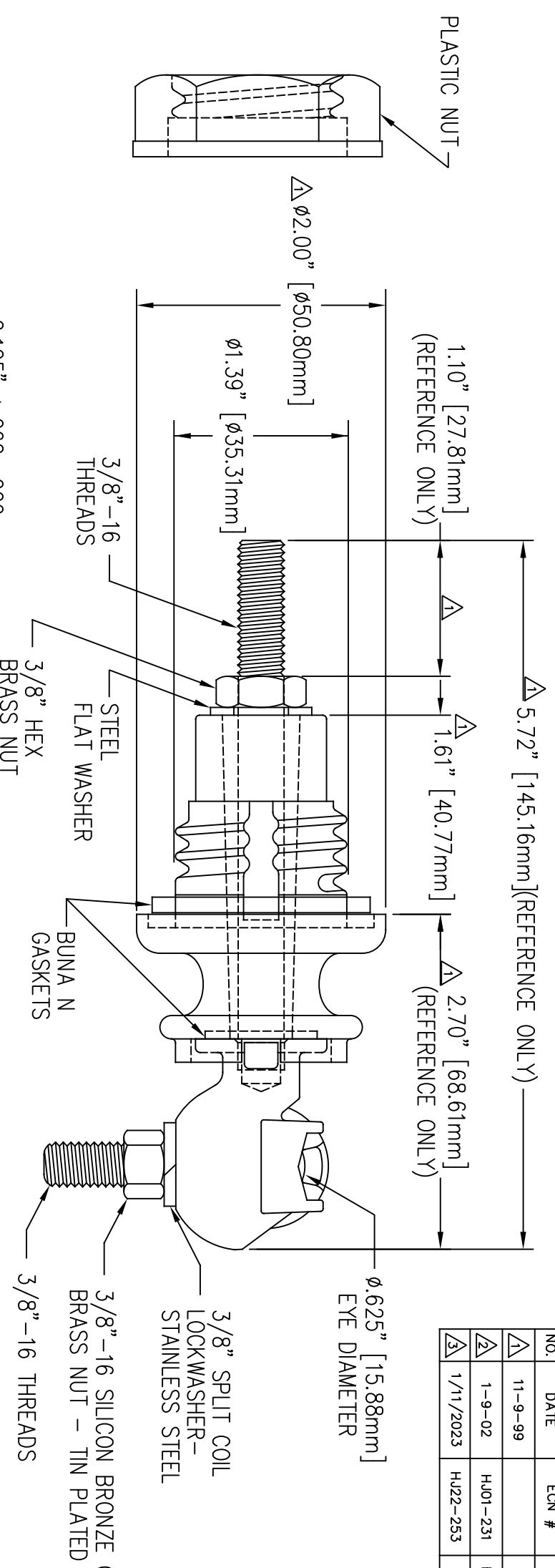


REVISIONS					
NO.	DATE	ECN #	REMARKS	BY	APPD.
1	11-9-99		REDEW CAP AND EDITED DIMENSIONS.	CJT	LHE
2	1-9-02	HJ01-231	REMOVED TORQUE NOTE.	CJT	LHE
3	1/11/2023	HJ22-253	ADDED SPECS. TO TITLE	MAD	CLS



- NOTES:
1. INCLUDES TWO EXTRA BRASS NUTS.
 2. INCLUDES TWO EXTRA WASHERS.

MATERIAL:

STUD - COPPER CDA 11000

BODY - CDA 84400 TIN PLATED

EYEBOLT - CDA 95500 TIN PLATED

<p>TOLERANCES (EXCEPT AS NOTED)</p> <p>DECIMAL ± .032" / .8mm</p> <p>FRACTIONAL ±</p> <p>ANGULAR ± 2°</p>			<p>H-J ENTERPRISES, INC.</p> <p>3010 HIGH RIDGE BLVD. HIGH RIDGE, MO. 63049 USA</p> <p>PHONE 1-636-677-3421 FAX 1-636-376-1915</p>
<p>MATERIAL (SEE ABOVE)</p> <p>CHK'D APP'D</p> <p>SCALE N.T.S.</p>			
<p>DRAWN BY BTD</p> <p>DATE 2-19-97</p>		<p>DRAWING NO. AS1000-025</p>	